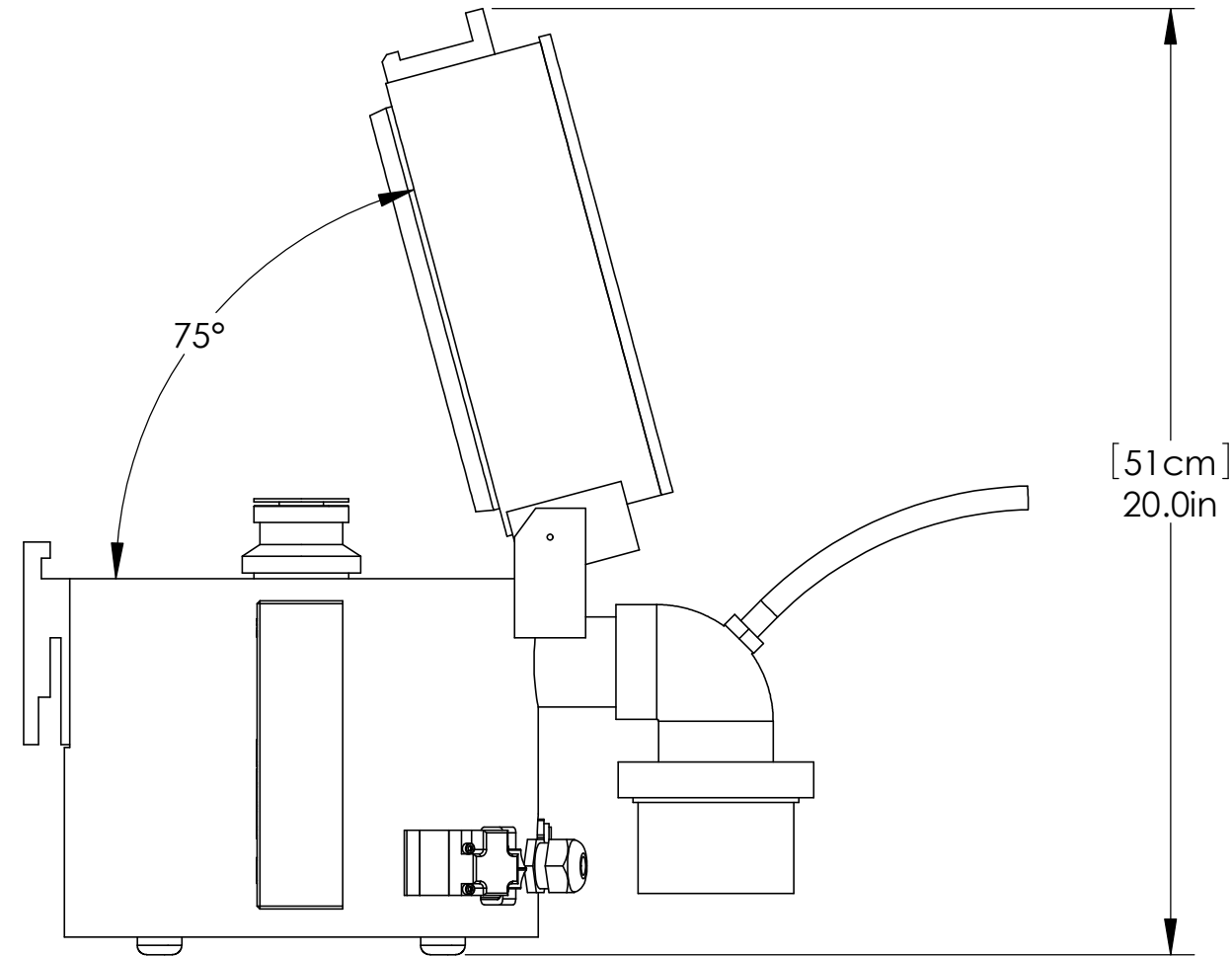
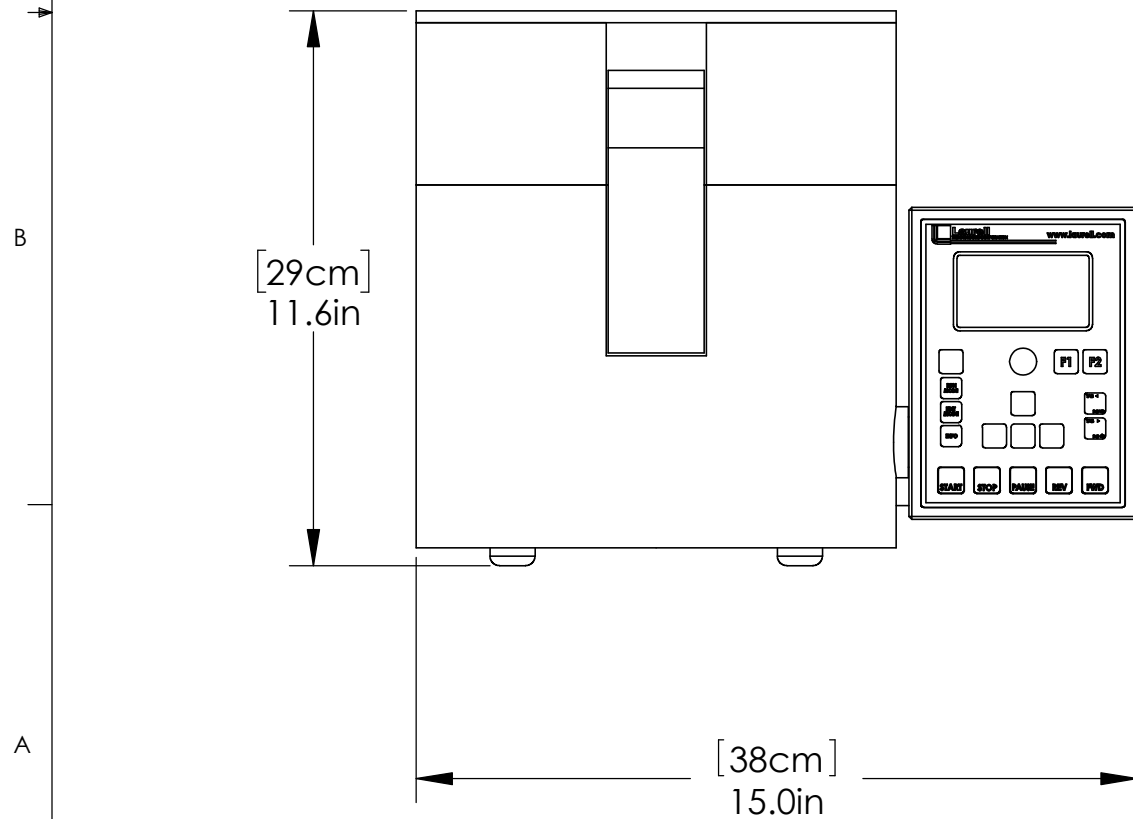
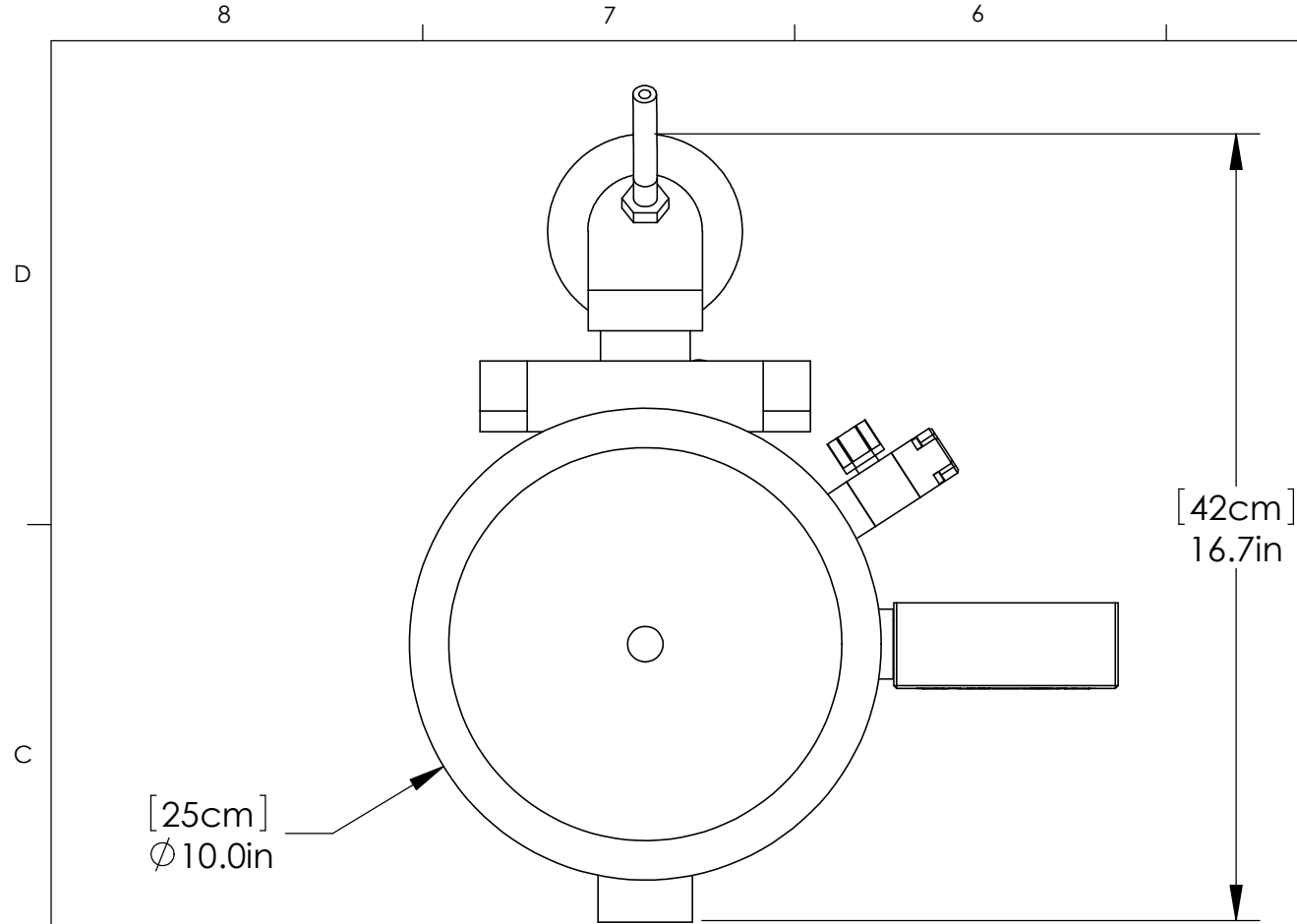


REVISIONS			
REV.	DESCRIPTION	BY	DATE
A	INITIAL RELEASE	JJ	9/29/2010
B	ADDED LID RING	JJ	6/7/2024

QUICK REFERENCE			
CONTROLLER	CASE SIZE	MOUNTING	VERSION
650	23	DESKTOP	



DIMENSIONS FOR REFERENCE ONLY  
SUBJECT TO CHANGE WITHOUT NOTICE  
CONFIRM ANY CRITICAL DIMENSIONS

**PROPRIETARY AND CONFIDENTIAL**  
THE INFORMATION CONTAINED IN THIS DRAWING IS THE SOLE PROPERTY OF LAURELL TECHNOLOGIES. ANY REPRODUCTION IN PART OR AS A WHOLE WITHOUT THE WRITTEN PERMISSION OF LAURELL TECHNOLOGIES IS PROHIBITED.

		UNLESS OTHERWISE SPECIFIED:		NAME		DATE	
		DIMENSIONS ARE IN INCHES		DRAWN		JJ	
		TOLERANCES:		CHECKED			
		FRACTIONAL ±.015		ENG APPR.			
		ANGULAR: MACH ± 1/2°		MFG APPR.			
		TWO PLACE DECIMAL ±.01		Q.A.			
		THREE PLACE DECIMAL ±.005		COMMENTS:			
		INTERPRET GEOMETRIC TOLERANCING PER:		ALL PARTS MUST BE CLEAN AND FREE OF BURRS. BREAK ALL SHARP EDGES, .015" RADIUS MAX.			
		MATERIAL					
		FINISH					
NEXT ASSY		USED ON		SCALE: 1:8		WEIGHT:	
APPLICATION		DO NOT SCALE DRAWING		SIZE <b>B</b>		DWG. NO. <b>10077301</b>	
				SHEET 1 OF 1		REV <b>B</b>	



TITLE: **DIMENSIONAL DRAWING, WS-650-23NPP**