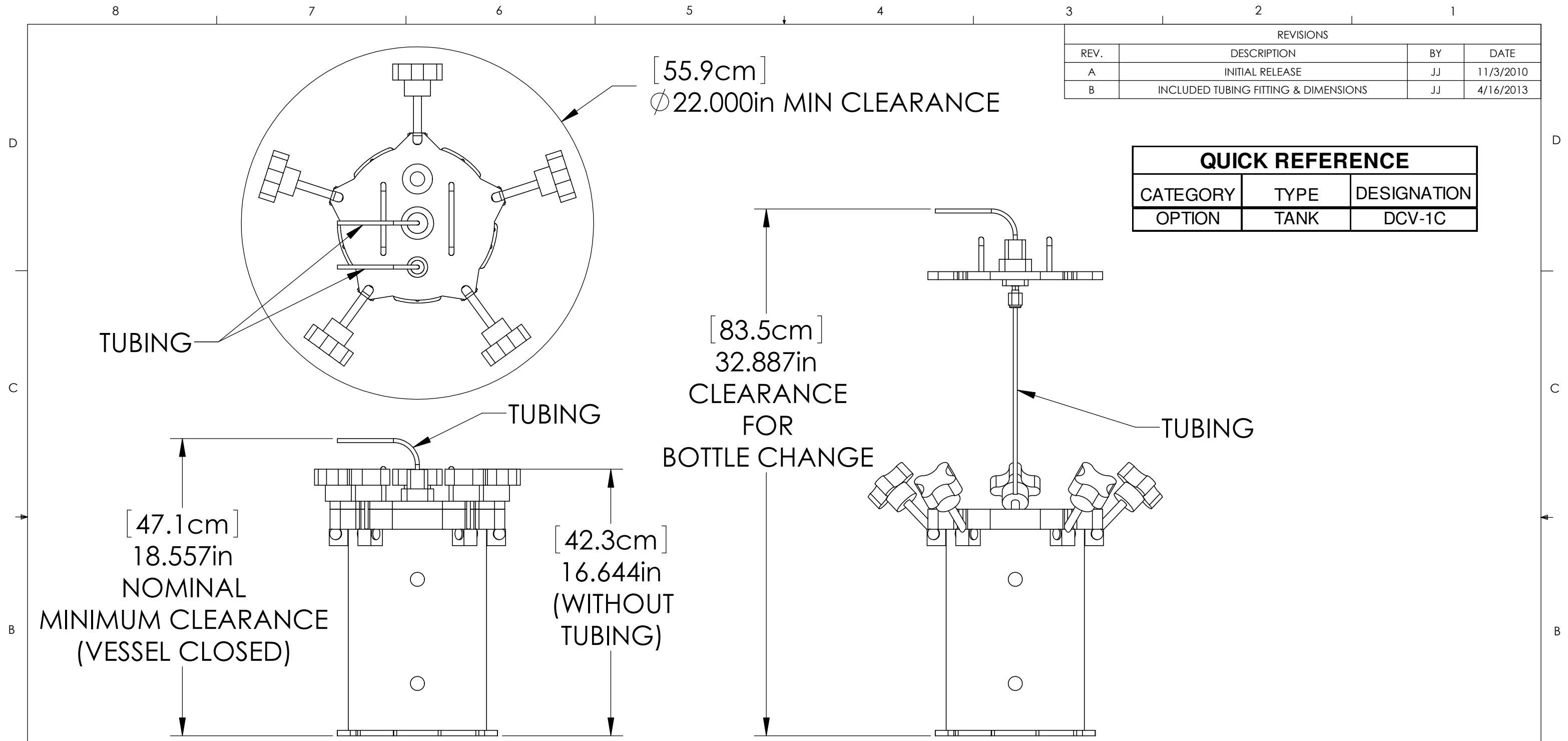
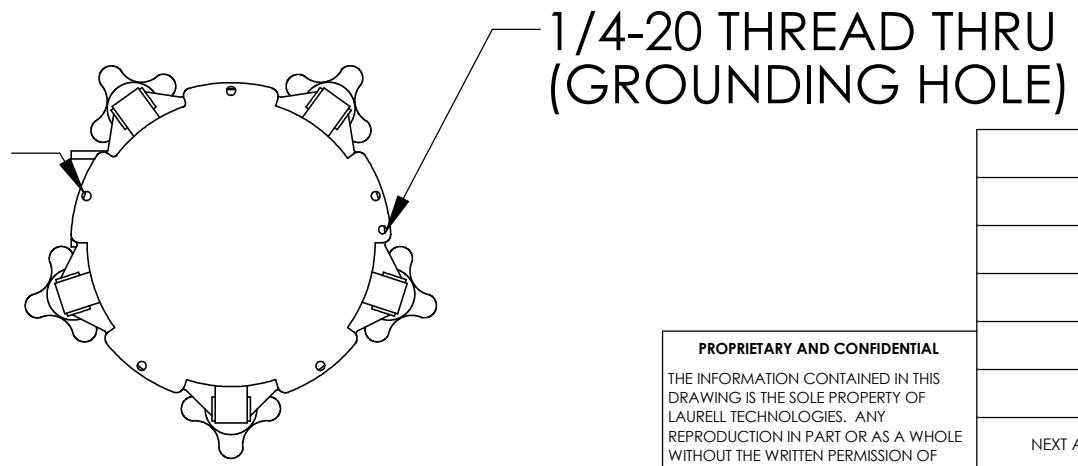


REVISIONS			
REV.	DESCRIPTION	BY	DATE
A	INITIAL RELEASE	JJ	11/3/2010
B	INCLUDED TUBING FITTING & DIMENSIONS	JJ	4/16/2013

QUICK REFERENCE		
CATEGORY	TYPE	DESIGNATION
OPTION	TANK	DCV-1C

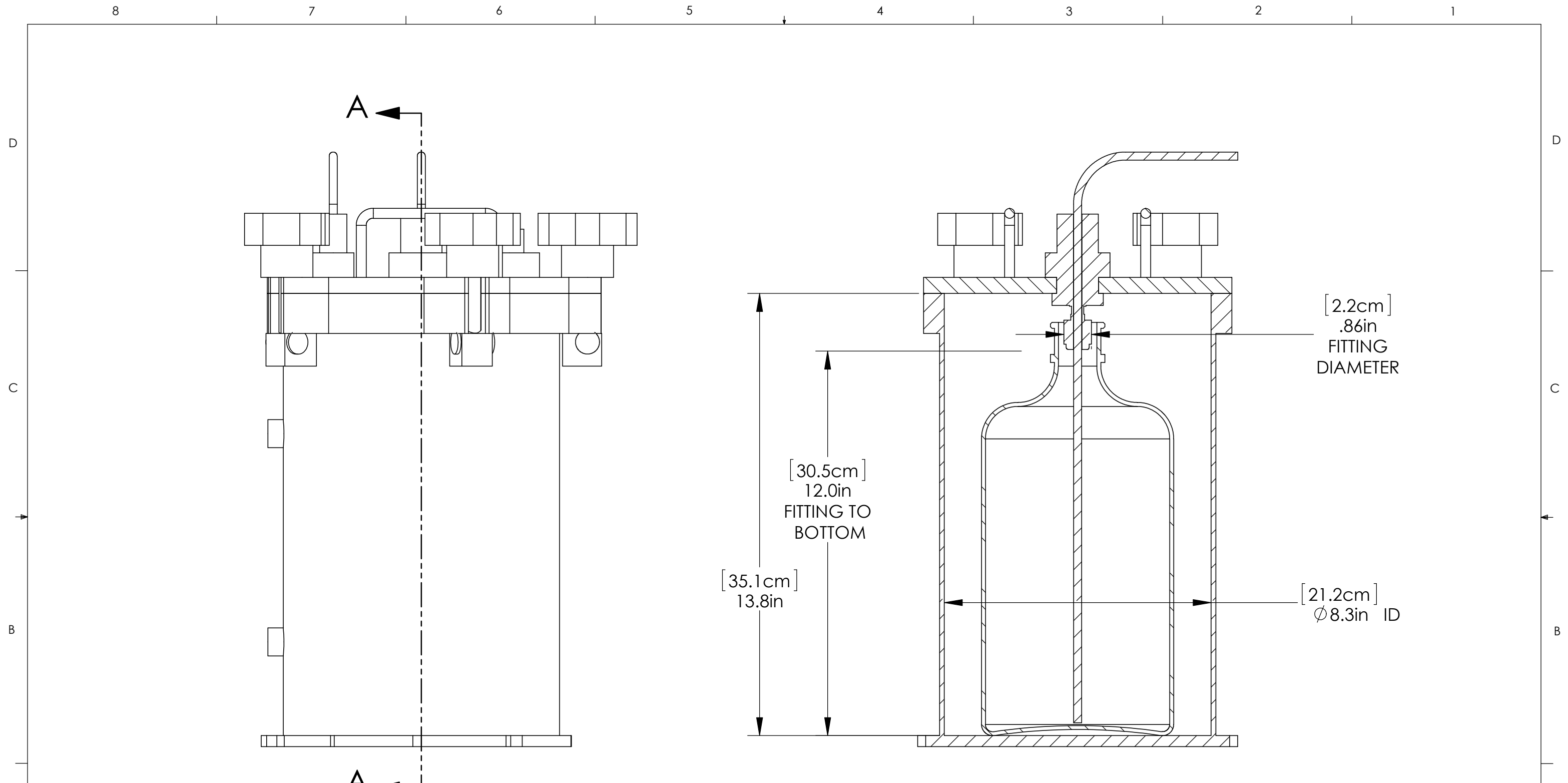


$\phi .281$ [.71cm] THRU (5) PLCS EQ SP ON A $\phi 9.50$ [24.13cm] BC




PROPRIETARY AND CONFIDENTIAL
 THE INFORMATION CONTAINED IN THIS DRAWING IS THE SOLE PROPERTY OF LAURELL TECHNOLOGIES. ANY REPRODUCTION IN PART OR AS A WHOLE WITHOUT THE WRITTEN PERMISSION OF LAURELL TECHNOLOGIES IS PROHIBITED.

UNLESS OTHERWISE SPECIFIED:		NAME	DATE		
DIMENSIONS ARE IN INCHES		DRAWN	JJ		TITLE: OPTION DIMENSIONAL DRAWING, DCV-1C
TOLERANCES:		CHECKED			
FRACTIONAL: $\pm .015$		ENG APPR.			
ANGULAR: MACH $\pm 1/2^\circ$		MFG APPR.			
TWO PLACE DECIMAL $\pm .01$		Q.A.		SIZE DWG. NO. REV B 10077101 B	
THREE PLACE DECIMAL $\pm .005$		COMMENTS:			
INTERPRET GEOMETRIC TOLERANCING PER:		ALL PARTS MUST BE CLEAN AND FREE OF BURRS. BREAK ALL SHARP EDGES, .015" RADIUS MAX.			
MATERIAL		SCALE: 1:8		SHEET 1 OF 2	
FINISH		WEIGHT:			
NEXT ASSY	USED ON	DO NOT SCALE DRAWING			



SECTION A-A
SCALE 1 : 3

PROPRIETARY AND CONFIDENTIAL
THE INFORMATION CONTAINED IN THIS DRAWING IS THE SOLE PROPERTY OF LAURELL TECHNOLOGIES. ANY REPRODUCTION IN PART OR AS A WHOLE WITHOUT THE WRITTEN PERMISSION OF LAURELL TECHNOLOGIES IS PROHIBITED.

		UNLESS OTHERWISE SPECIFIED:		NAME	DATE		
		DIMENSIONS ARE IN INCHES		DRAWN	JJ		4/16/13
		TOLERANCES:		CHECKED			
		FRACTIONAL: ±.015		ENG APPR.			
		ANGULAR: MACH ± 1/2°		MFG APPR.			
		TWO PLACE DECIMAL ±.01		Q.A.			
		THREE PLACE DECIMAL ±.005		COMMENTS:	ALL PARTS MUST BE CLEAN AND FREE OF BURRS. BREAK ALL SHARP EDGES, .015" RADIUS MAX.		
		INTERPRET GEOMETRIC TOLERANCING PER:					
		MATERIAL					
NEXT ASSY	USED ON	FINISH				SIZE B DWG. NO. 10077101 REV B	
APPLICATION		DO NOT SCALE DRAWING				SCALE: 1:8 WEIGHT: SHEET 2 OF 2	